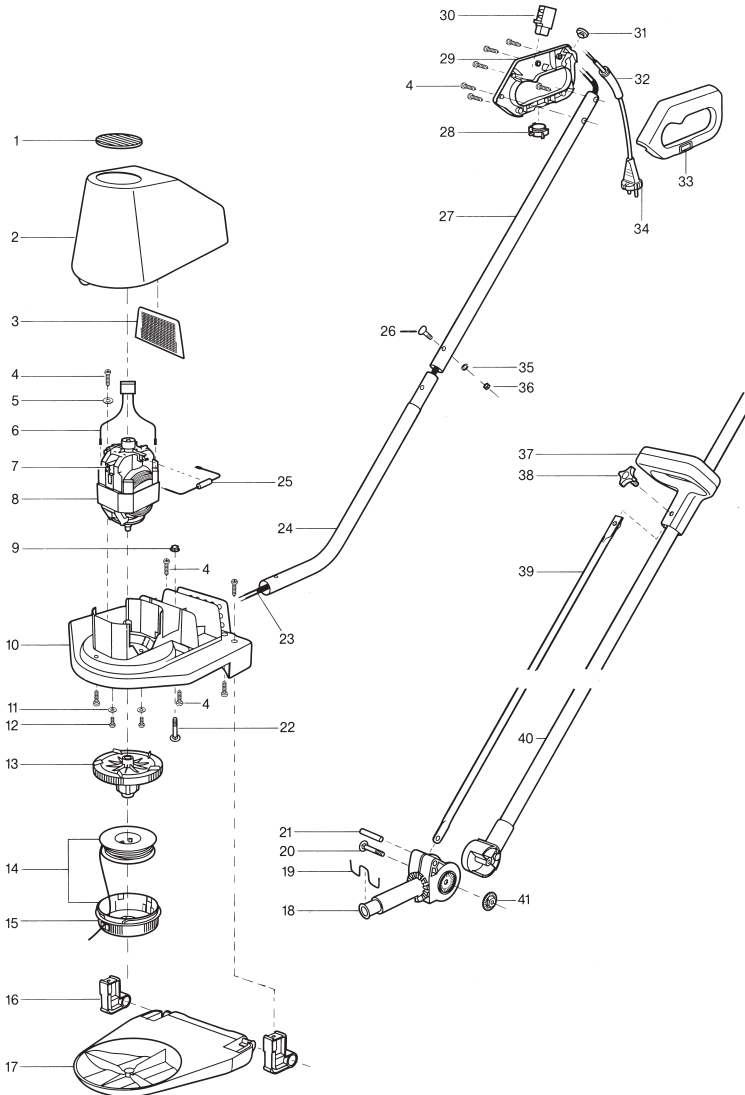




2390/2395/2400 Turbotrimmer



Art.-Nr.2390/2395

Art.-Nr.2390/2395		Turbotrimmer 200 / 250
		<u>until 1992</u>
4	410-00.000.38	Oval head screw 4,2x19-C-H
7	44000-06.809.99	# Carbon brush, until '86
8	2400-00.860.00	# E-Motor, cpl.
9	2390-00.000.16	Nut M5-8
11	2390-00.100.04	Washer
13	2390-00.055.00	Reel holder
14+15	2406-00.010.00	Filament cassette, cpl.
15	2406-00.881.00	Filament cassette case
16	2390-00.000.01	Runner bearing
17+16	2390-00.707.00	Runner, cpl.
25	2558-00.618.01	Choking coil
29+33	2390-00.770.01	Handle, right + left (pair)
30	2390-00.072.00	# Switch
34	2390-00.074.00	# Mains lead, cpl.
36	2350-00.000.11	Hexagon Nut M5

Art.-Nr.2400

Art.-Nr.2400		Turbotrimmer 300
38	3703-00.702.13	Lock screw
	2395-00.030.02	Nut for handle bar

All other spare parts see art.2390